



SPEED QUEEN® MULTI-HOUSING LAUNDRY SOLUTIONS
Front Control Front Load Washer

Electronic Homestyle

Built for Reliable Performance

Engineered and built like no other, the Speed Queen® front load washer is designed to be everything people thought a washer couldn't be, beginning with its revolutionary suspension and sensing technology. This groundbreaking innovation manages and redistributes out-of-balance loads to deliver uninterrupted cycles, virtually eliminate vibration and operate so quietly neighboring residents won't even know it's running. It also touts an incredible 440 G-Force extraction speed to maximize moisture removal, reduce dry times and minimize utility costs. And as if that's not game-changing enough, this smooth-running, laundry-optimizing machine delivers increased water efficiency for the ultimate user experience. It's everything you never knew it could be. Front load products have met every design standard to be 100% ADA compliant.

- Revolutionary balancing technology
- Industry leading 1200 RPM spin speed exerts 440 G-force extraction
- Extra-wide 15.5" door opening and 180° door swing
- Rugged suspension system
- Easy-to-read digital display
- Durable stainless steel tub
- Four-compartment soap dispenser



Electronic Homestyle Control

Electronic Homestyle control is designed for durability and easy operation with attractive selection buttons and cycle status indicator lights.

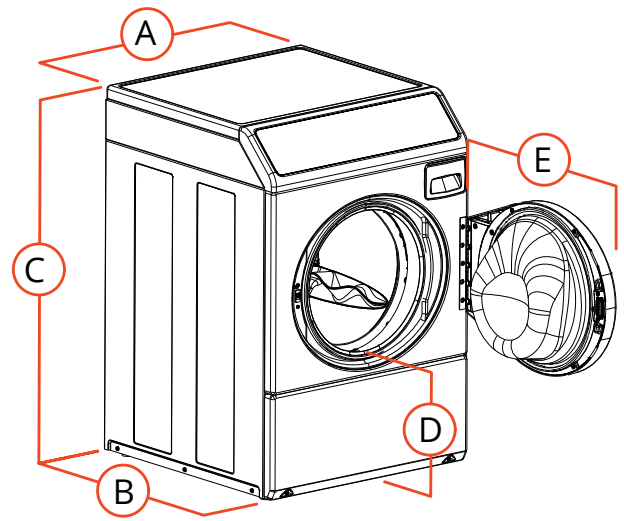


Front Control Front Load Washer

Electronic Homestyle

Specifications		
Control Option	Electric Homestyle	
Color	White	
Capacity - lb (kg)	21.5 (9.5)	
Cylinder Volume - cu. ft. (liters)	3.42 (96.8)	
Spin Speed G-Force (RPM)	440 (1200)	
Motor Size - HP (kw)	0.9 (0.67)	
Water Consumption Per Cycle - g (liter)	13.68 (51.8)	
IWF (WATER FACTOR) - gal/ft ³ (liters/liter/cycle)	4.0 (0.53)	
MEF ₂ (Modified Energy Factor) ft ³ /kWh/cycle (Liters/kWh/cycle)	2.20 (62.3)	
Available Water Temperatures	Hot, Warm, Cold	
Available Cycles	Heavy Duty, Normal Eco, Perm Press, Delicate, Rinse & Spin, Spin	
Electrical Requirements (v/Hz/Ph-Amp)	120/60/1 - 15 Amp	
Water Pressure - p.s.i. (bar)	20-120 (1.4/8.3)	
Drain	Pump	
Cylinder Finish	Stainless Steel	
Net Weight - lb (kg)	260 (118.3)	
Shipping Weight - lb (kg)	270 (122.5)	
Shipping Dimensions Approx. - in (mm)	Width	34 (864)
	Depth	30 (762)
	Height	44.5 (1130)
Agency Approvals	cULus	

Models	
LFNE5BSP115TW01	



A. Overall Width - in (mm)	26.875 (683)
B. Overall Depth - in (mm)	27.73 (704)
C. Overall Height - in (mm)	40.42 (1027)
D. Floor To Door Opening -in (mm)	14.6 (371)*
E. Door Swing - in (mm)	24.06 (611)

*For ADA compliance turn legs from base 0.5 inches

Supply inject kits available.

For the most accurate information, the installation guide should be used for all design and construction purposes. Due to continuous product improvements, design and specifications subject to change without notice. The quality management systems at Alliance Laundry Systems are registered to ISO 9001.